

CLAMPBRO®

WOODWORKER



12" (315MM) CONTRACTOR TABLE SAW
MODEL NO: CCS12B

PART NO: 6460015

**OPERATION & MAINTENANCE
INSTRUCTIONS**



ORIGINAL INSTRUCTIONS

GC0224 rev 3

INTRODUCTION

Thank you for purchasing this CLARKE product. This table saw has been designed to perform the sawing operation of ripping, cross-cutting, bevelling and mitering wood and wood products. This unit is designed for use with a 12" (315mm) carbide tipped blade.

Before attempting to use this product, please read this manual thoroughly and follow the instructions carefully. In doing so you will ensure the safety of yourself and that of others around you, and you can look forward to your purchase giving you long and satisfactory service.

SPECIFICATIONS

Model	CCS12B
Voltage	230V - 50 Hz
Power input	2000 W
No-load speed	2800 rpm
Ingress protection (IP) rating	IP44
Duty Cycle Classification	S6 (40%) 4mins on/6mins off
Table size	800 mm x 550 mm (ex extension)
Dust Extractor connector	96 (internal) / 100 mm (external)
Blade size:	Outside Diameter 315 mm
	Bore Diameter 30 mm
	Thickness (kerf) 3 mm
	Number of teeth 24
Maximum cut depth @ 90 Degrees	83 mm
Maximum cut depth @ 45 Degrees	60 mm
Machine weight:	50 kg
Machine size (L x W x H)	1600 x 550 x 860mm (max)
Table footprint	870 x 620mm
Sound pressure level LpA	98.1 dB (A)
Guaranteed sound power level LWA:	105.1 dB (A)

This saw is NOT suitable for cutting timber greater than 40mm. logs or round timber or for cutting metal, stone, rubber, plastic etc

GUARANTEE

This product is guaranteed against faulty manufacture for a period of 12 months from the date of purchase. Please keep your receipt which will be required as proof of purchase.

This guarantee is invalid if the product is found to have been abused or tampered with in any way, or not used for the purpose for which it was intended. Faulty goods should be returned to their place of purchase, no product can be returned to us without prior permission.

This guarantee does not effect your statutory rights.

ENVIRONMENTAL RECYCLING POLICY








By purchasing this product, the customer is taking on the obligation to deal with its safe disposal in accordance with the Waste Electrical and Electronic Equipment (WEEE).

In effect, this means that this product must not be disposed of with general household waste. It must be disposed of according to the laws governing Waste Electrical and Electronic Equipment (WEEE) at a recognised disposal facility.

If disposing of this product or any damaged components, do not dispose of with general waste. This product contains valuable raw materials. Metal products should be taken to your local civic amenity site for recycling of metal products.

SAFETY SYMBOLS

	Read instruction manual before use		Wear dust mask
	Wear safety glasses		Wear ear defenders
	Indoor Use Only		

The above safety symbols appear on the product.

SAFETY WARNINGS



CAUTION: DO NOT LET FAMILIARITY WITH YOUR TABLE SAW MAKE YOU CARELESS. REMEMBER THAT A CARELESS FRACTION OF A SECOND IS SUFFICIENT TO CAUSE SEVERE INJURY.

PERMITTED USAGE

The table saw is constructed exclusively for the sawing of wood. The appropriate saw blade should be fitted according to the wood type (solid wood, chipboard or plywood).

- Read and understand the entire owner's manual before attempting assembly or operation.
- Read and understand the warnings posted on the machine and in this manual. Failure to comply with all of these warnings may cause serious injury.

HEALTH

When sawing, dust particles will be produced. In some instances this dust can be harmful (e.g. lead from old gloss paint, arsenic and chromium from chemically treated lumber).

To reduce the risk you should:

- Work in a well-ventilated area.
- Work with approved safety equipment such as dust masks, that are specially designed to filter microscopic particles.
- If possible use/connect to a suitable dust extractor.
- Noise can be a health hazard. The permitted noise level is exceeded when working. Be sure to wear personal protective equipment such as ear protection.

GENERAL

1. **DO NOT** expose the saw to rain or use in damp or wet conditions.
2. Keep the work area well lit.
3. **DO NOT** use the saw in the presence of flammable liquids and gases.
4. Remove loose items and unnecessary work pieces from the area before starting the saw.
5. Clean out sawdust from the interior of the saw to prevent a potential fire hazard. Attach a vacuum cleaner to the dust port for additional sawdust removal.
6. Wear ear protectors (plugs or muffs) during extended periods of operation.
7. Wear safety glasses. Everyday eyeglasses are not suitable as safety glasses.
8. **NEVER** wear gloves during operation.
9. Before operating this table saw, remove any neck tie, rings, watches and other jewellery and roll sleeves up past the elbows. Remove all loose clothing and confine long hair. Non-slip footwear or anti-skid floor strips are recommended.
10. Make sure that the machine stands stable on a firm surface.
11. Before use, carefully check the saw and mains cable for damage or any other condition that may affect its operation. **DO NOT** use the saw if any part is damaged or defective.
12. **DO NOT** use the saw if the switch does not turn it on and off.
13. Remove keys and wrenches. Ensure that keys and wrenches are removed from the saw before turning it on following blade replacement.
14. Use the right tool for the task - **DO NOT** force small tools to do the job of a heavy duty tool. It will do the job better and safer at the rate for which it was intended. **DO NOT** use tools for purposes not intended; for example **DO NOT** use table saws to cut tree limbs or logs.
15. The use of any accessory or attachment other than one recommended in this instruction manual may present a risk of personal injury.

16. Guard against electric shock and avoid body contact with earthed or grounded surfaces.
17. Before use, inspect the extension cable and replace if damaged. This product is recommended for indoor use only.
18. Avoid unintentional starting. Make sure the switch is in the OFF position before connecting the machine to the power supply.
19. **DO NOT** abuse the cable. Never yank the cable to disconnect it from the mains supply. Keep the cable away from heat, oil, water and sharp edges.
20. This table saw is designed and intended for use by properly trained and experienced personnel only. If you are not familiar with the proper and safe operation of a table saw, **DO NOT** use until proper training and knowledge have been obtained.
21. Stay alert, watch what you are doing. Use common sense. **DO NOT** operate the saw when you are tired or under the influence of drugs, alcohol or any medication.
22. Keep hands clear of the saw blade.
23. Maintain a balanced stance at all times so that you do not fall on to the blade. **DO NOT** overreach or use excessive force to perform any operation.
24. Use push-sticks or push blocks to feed the workpiece past the saw blade. Keep your hands and fingers well away from the blade.
25. The push-stick should always be stored with the machine when not in use.
26. Pay particular attention to instructions on reducing risk of kickback.
27. **NEVER** perform any operation freehand, which means using only your hands to support or guide the workpiece. **ALWAYS** use either the fence or the mitre fence to position and guide the work.



WARNING: FREEHAND CUTTING IS THE MAJOR CAUSE OF KICKBACK AND FINGER AMPUTATIONS.

28. Give your work undivided attention. Looking around, carrying on a conversation and “horse-play” are careless acts that can result in serious injury.
29. When not in use, store the saw in a dry place out of reach of children.
30. Replace the warning labels if they become obscured or removed.
31. Turn off and unplug the saw before cleaning. Use a brush or compressed air to remove chips or debris — **DO NOT** use your hands. Wear eye protection if using compressed air.

32. Keep blades sharp and clean for better and safer performance. Inspect power cables periodically and if damaged have them repaired.
33. Repairs should only be carried out by qualified persons using original spare parts, otherwise this may result in considerable danger to the user.
34. Keep handles dry, clean and free from oil and grease.
35. Unplug the saw - switch off and wait for the blade to come to a complete standstill before leaving it unattended.

ADDITIONAL SAFETY RULES FOR TABLE SAWS

1. The thickness of the saw blade must be greater than the thickness of the riving knife.
2. **DO NOT** stand on the table saw.
3. During transportation make sure that the upper part of the saw blade is covered by the guard.
4. **DO NOT** use the guard for handling or transportation.
5. Check that the workpiece is properly supported. **ALWAYS** provide additional support for long workpieces.
6. **DO NOT** exert side pressure on the saw blade.
7. Make sure that the blade rotates in the correct direction and that the teeth are pointing to the front of the saw.
8. **DO NOT** apply lubricants to the blade when it is running.
9. **NEVER** reach around or over the saw blade. **NEVER** reach for a workpiece until the saw blade has completely stopped.
10. Make sure that the blade and retaining discs are clean. Tighten the retaining screw securely.
11. Keep the saw blade sharp.
12. Make sure that the riving knife is adjusted to the correct distance from the blade.
13. **NEVER** operate the saw without the guard in place.
14. **DO NOT** use abrasive discs or diamond cutting wheels.
15. Rebating, slotting or grooving is not allowed.
16. **DO NOT** use a moulding head cutter with this saw.
17. Remove the rip fence when crosscutting. Never use the rip fence as a cut-off gauge when crosscutting.
18. Knock out any loose knots from the workpiece before you begin to cut.

19. Provide adequate support to the rear and the sides of the saw table for long or wide workpieces.
20. **NEVER** leave the saw running unattended. Turn the power off and do not leave the saw until it comes to a complete stop.
21. Before using the saw on an actual workpiece, let it run for a few moments. Watch for vibration or wobbling that could indicate poor installation or a poorly balanced blade.
22. **ALWAYS** hold work firmly against the mitre gauge or rip fence.
23. **NEVER** stand or have any part of your body in line with the path of the saw blade. Keep your hands out of the saw blade path.
24. Feed work into the blade against the direction of rotation only.
25. **NEVER** attempt to free a stalled saw blade without first turning the saw off. Turn the power switch off immediately to prevent motor damage.
26. Avoid awkward operations and hand positions where a sudden slip could cause your hand to move into the saw blade.
27. Avoid abrupt, fast feeding. Feed as slowly as possible when cutting hard workpieces. Do not bend or twist the workpiece while feeding. If you stall or jam the blade in the workpiece, turn the table saw off immediately. Unplug the saw, then clear the jam.
28. **NEVER** remove cut-off pieces near the blade or touch the blade guard while the blade is running.

SAW BLADES

1. Disconnect the saw from the mains supply before changing blades or carrying out maintenance.
2. The maximum speed of the saw blade must always be equal to or greater than the no-load speed of the table saw as specified on the rating plate.
3. Only use saw blades recommended by the manufacturer and which are the exact bore and diameter required for this machine. Do not use any spacers to make a blade fit onto the spindle. Use only the blades specified in this manual, which are manufactured in accordance with EN 847-1 standards.
4. Clean the spindle, retaining discs (especially the installing surface) and retaining bolt before installing the blade. Poor installation may cause vibration/wobbling or slippage of the blade.
5. **DO NOT** use saw blades which are damaged or deformed.
6. Take care that the selection of the saw blade is suitable for the material to be cut.

7. Make sure the blade is not contacting the riving knife or workpiece before the switch is turned on.
8. Wear gloves when handling saw blades and rough material. Saw blades shall be carried in a holder whenever practicable. Only wear gloves when the saw is switched off and unplugged.

KICKBACK

Kickback is a sudden reaction to a pinched, bound or misaligned saw blade, it causes the workpiece to be ejected from the tool back towards the operator. Kickbacks can lead to serious personal injury.

You can avoid kickbacks by:

- a. Keeping the blade sharp,
- b. Keeping the rip fence parallel to the blade,
- c. Keeping the riving knife and blade guard in place and operating properly,
- d. Not releasing the workpiece until you have pushed it all the way past the blade,
- e. Not ripping a workpiece that is twisted or warped or does not have a straight edge to guide along the fence.

If you do not have a clear understanding of kickback and how it occurs, **DO NOT** use this table saw.

REMAINING HAZARDS

The machine has been built in accordance with recognized safety standards. Some remaining hazards may still exist.

- The rotating saw blade can cause injuries to fingers and hands if the work piece is incorrectly fed.
- Thrown work pieces can lead to injury if the work piece is not properly secured or fed, such as working without a limit stop.
- Defective saw blades can cause injuries. Regularly inspect the structural integrity of saw blades.
- The use of incorrect or damaged mains cables can lead to injuries caused by electricity.

Residual hazards can be minimized by following the instructions in the operating manual.

ELECTRICAL CONNECTIONS




WARNING! READ THESE ELECTRICAL SAFETY INSTRUCTIONS THOROUGHLY BEFORE CONNECTING THE PRODUCT TO THE MAINS SUPPLY.

Before switching the product on, make sure that the voltage of your electricity supply is the same as that indicated on the rating plate. This product is designed to operate on 230VAC 50Hz. Connecting it to any other power source may cause damage.

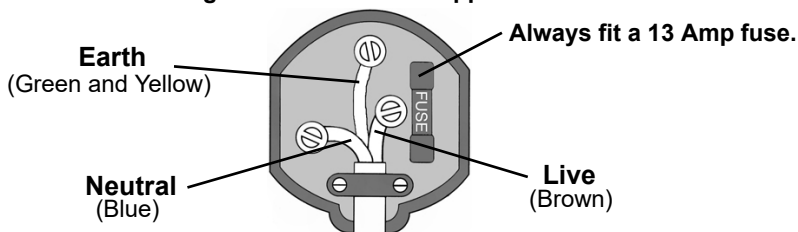
This product may be fitted with a non-rewireable plug. If it is necessary to change the fuse in the plug, the fuse cover must be refitted. If the fuse cover becomes lost or damaged, the plug must not be used until a suitable replacement is obtained.

If the plug has to be changed because it is not suitable for your socket, or due to damage, it should be cut off and a replacement fitted, following the wiring instructions shown below. The old plug must be disposed of safely, as insertion into a mains socket could cause an electrical hazard.

If the colours of the wires in the power cable of this product do not correspond with the markings on the terminals of your plug, proceed as follows.

- The Blue wire must be connected to the terminal marked N or coloured Black.
- The Brown wire must be connected to the terminal marked L or coloured Red.
- The Yellow and Green wire must be connected to the terminal marked E or  or coloured Green.

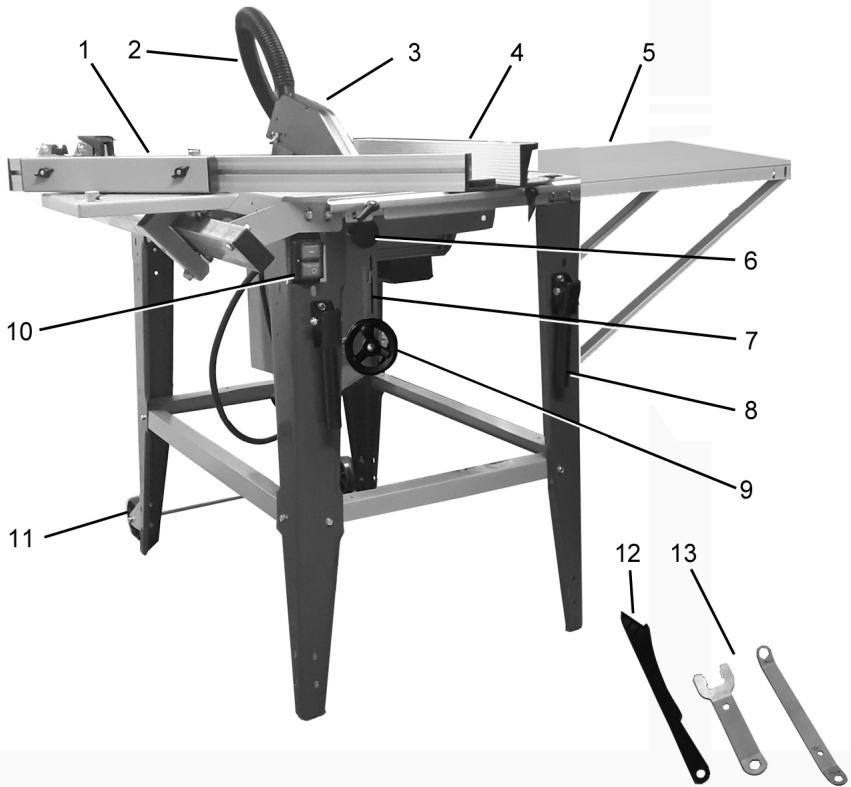
Plug must be BS1363/A approved.



Ensure that the outer sheath of the cable is firmly held by the clamp

We strongly recommend that this machine is connected to the mains supply via a Residual Current Device (RCD). If in any doubt, consult a qualified electrician. DO NOT attempt any repairs yourself.

MACHINE OVERVIEW



1	Mitre fence assembly	8	Lifting handles
2	Dust extract hose	9	Blade height adjuster
3	Blade Guard	10	On/Off switch
4	Parallel Fence assembly	11	Transport wheels
5	Table extension	12	Push stick
6	Blade angle adjuster	13	Blade removal wrenches
7	Blade height display scale		

INVENTORY

The following items should be supplied in the carton. If any parts are missing, do not attempt to use your table saw until the missing parts are obtained.

1	Machine assembly	17	Slide rail
2	Work table extension	17a	Brackets for slide rail (2)
3	Rear table support stays (2)	18	Sliding mitre table assembly
4	Side table support stays (2)	18a	Sliding mitre fence
5	Supporting Legs (4)	18b	Sliding mitre fence support
6	Short cross beams (2)	18c	Sliding mitre folding stop block
7	Long cross beams (2)	19	Rip fence
8	Rubber feet (4)	19a	Rip fence sliding plate
9	Carrying handle (2)	19b	Carrier track for sliding plate
10	Axle assembly with wheels	19c	Rip fence handle
11	Dust extraction hose	20	Workpiece push handle
12	Dust extraction hose connector	21	Blade spanner 13/19mm
13	Dust extraction hose bracket	22	Blade spanner 10,13/19mm
14	On/Off Switch (connected)	23	Push stick
15	Blade guard	24	Fixings pack (inc wingnuts and plastic end caps)
16	Floor mounting brackets (4)		

TOOLS REQUIRED

Philips screwdriver

7mm wrench

10mm wrench

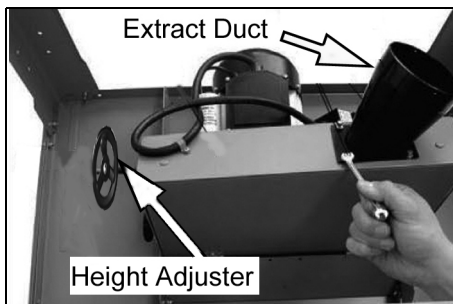
16mm wrench

17mm wrench

ASSEMBLY

STAND ASSEMBLY

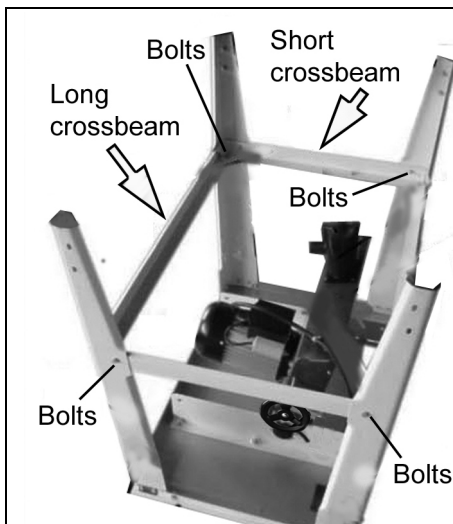
1. Ensure the blade is retracted inside the machine by turning the height adjuster. Turn the machine upside down, ideally on a soft surface.
2. Fix the dust extract duct connector to the motor housing with 4 x bolts using a 7mm flat or ring spanner.



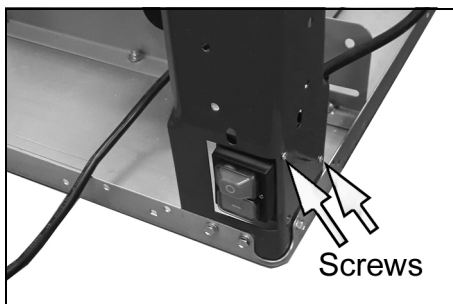
3. Bolt the 4 x legs to the table using bolts/nuts/2 x washers. Only assemble finger tight at this stage.

- The leg with the aperture for the On/Off switch assembly must be mounted on the left side when facing the blade height adjuster.

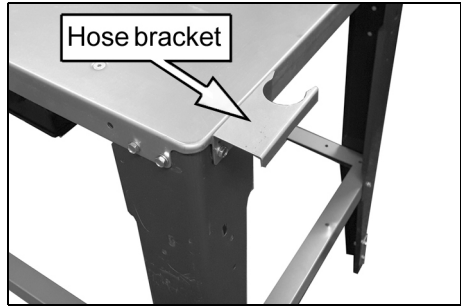
4. Add the long and short crossbeams to the legs using further bolts/nuts/washers. Only assemble finger tight at this stage.



5. Pass the On/Off switch (attached to its cable), through the aperture in the front leg and install in position with the 2 self-tapping screws.



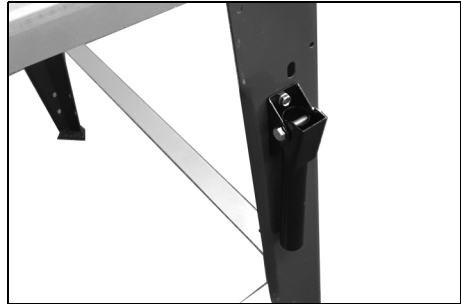
6. Loosen the bolts on the corner diagonally opposite the switch and bolt the hose securing bracket to the table (shown the right way up).



7. With the help of an assistant, turn the assembly the right way up.

8. With the assembly standing on a flat, level floor, check that the assembly is standing level and that the legs are an equal distance apart before tightening the securing bolts evenly.

9. Bolt the handles to the legs on one end of the assembly, using bolts/nuts/2 x washers.



10. Push-fit the rubber feet onto the end of each leg.

11. Bolt the wheels and axle assembly to the legs at the opposite end of the machine to the handles.

- Note that the wheels should be almost touching the floor.

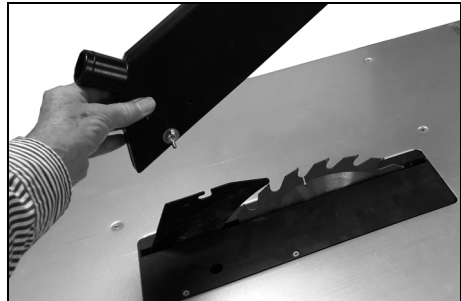


BLADE AND BLADE GUARD

12. With the blade and riving knife supplied fitted, fit the blade guard to the riving knife.

CAUTION The riving knife will be fitted in a lower "travel" position for shipping. Please ensure the riving knife height is adjusted before fitting the guard to prevent the blade damaging the guard.

13. Engage the socket in the guard with the slot in the riving knife and tighten the screw/locknut to pinch it to the knife ensuring



it can still move up and down and fall freely in use.

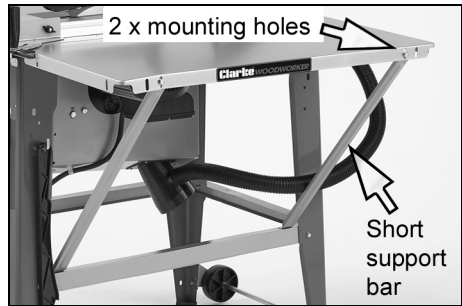
- The blade guard must always be used.
- The wingnut should always face away from the workpiece.

EXTENSION TABLE

The extension table can be fitted to either the side or end of the main work table, as required.

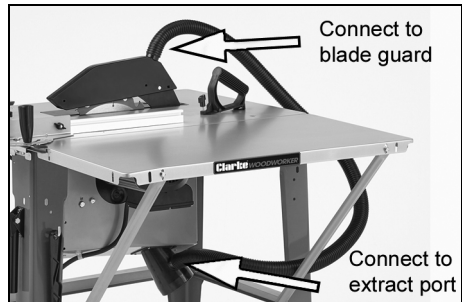
Use either the long or short support arms to support the extension table in your chosen location.

1. Connect either the rear or side table support arms using the bolts, washers and nuts supplied.
2. Join the table extension to either the rear or side edge of the main work table using the bolts provided.
3. Ensure the table is level before tightening the fastenings.

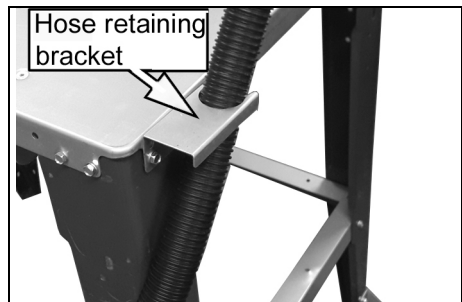


CONNECTING THE DUST EXTRACT

1. Connect the extract hose to the blade guard at one end and to the extract port at the other end.



2. Clip the hose into the retaining bracket on the edge of the table.
 - This table saw is equipped with a dust extraction port. For safe operation, we recommend that a suitable dust extraction device or vacuum cleaner is connected during operation.



- This should be configured so that the suction should switch on automatically when the saw is switched on.
3. A 4" duct will be required with the dust extractor to connect to the adaptor on the bottom of the machine.



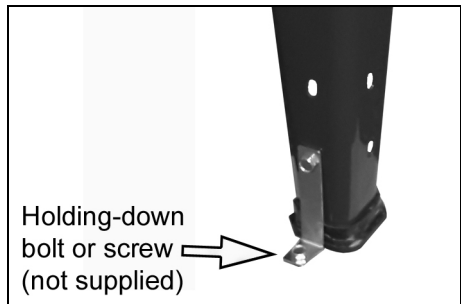
WARNING: EXCESSIVE SAWDUST BUILD UP AROUND THE MOTOR COULD POSSIBLY IGNITE AND CAUSE DAMAGE TO THE MOTOR, TABLE SAW OR YOUR WORKSHOP.

FLOOR MOUNTING

If a permanent location for the machine is required it can be secured to the floor using the brackets supplied.

Fix the metal angle brackets to the legs with the bolts supplied.

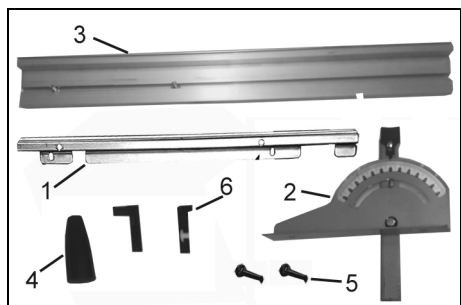
Screw or bolt the brackets to the floor in your chosen location (fixings not supplied).



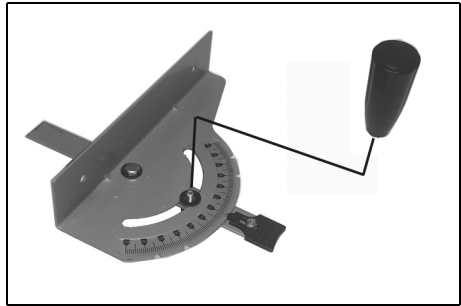
RIP FENCE ASSEMBLY

The rip fence comprises the following components:

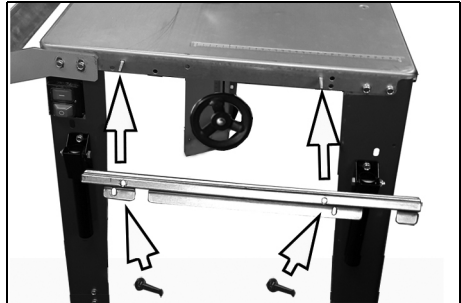
1. Carrier track
2. Sliding angle plate assembly with track slide and angle pointer
3. Rip fence
4. Handle
5. Locking levers
6. Plastic end caps
7. Fixing Pack (not shown)



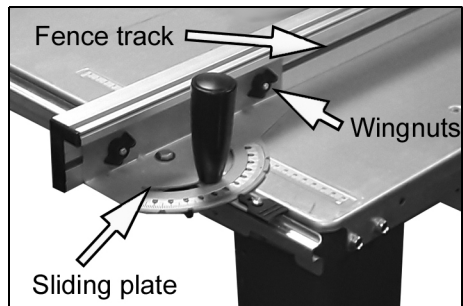
1. Take the sliding plate, complete with track slide and angle pointer fitted, and add the handle using a 20mm coach bolt.



1. Attach the rip fence carrier track to the table front using 2 x carriage bolts M6x25, 2 washers and 2 locking levers. Leave the locking levers loose at this stage.



2. Slide the rip fence sliding plate along the carrier track and tighten the locking levers to hold it in position.
3. Add the rip fence to the sliding plate by sliding the 20mm carriage bolts along the moulded track in the fence. Pass the bolts through the locating holes in the fence support and secure with the 2 x wingnuts.
4. Add the plastic end caps to the fence.



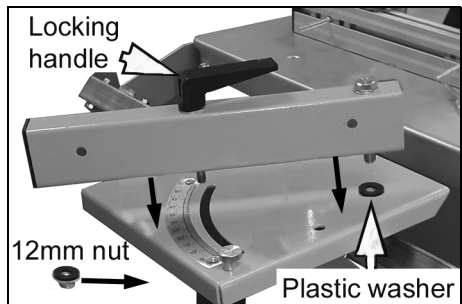
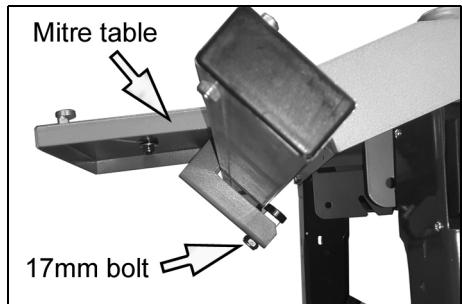
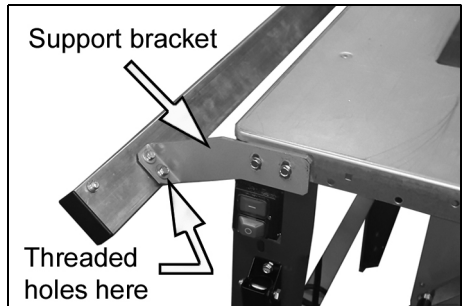
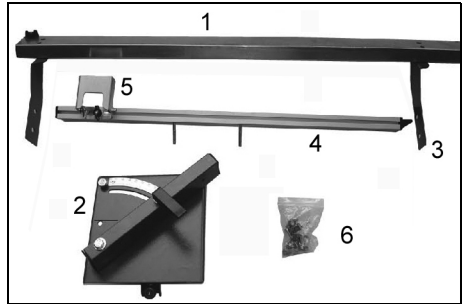
NOTE: The fence can be installed either upright or on its side.

5. Slide the fence assembly along the track and tighten the locking levers to grip it in position as required.

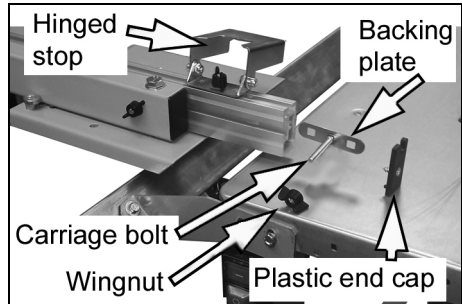
SLIDING TABLE ASSEMBLY

The sliding table comprises the following components:

1. Guide Rail
 2. Sliding Table assembly
 3. Support bracket (x2)
 4. Mitre fence
 5. Folding Stop Block
 6. Fixing Pack
1. Remove the bolts at the top of the leg and use these to bolt the support brackets, to the left side of the table.
 2. Bolt the guide rail to the support brackets using the threaded holes provided in the rail.
 3. Slide the mitre table onto the guide rail and secure it against falling off by tightening the lower bearing against the guide with a 17mm spanner.
 4. Fit the fence support to the sliding mitre table. Fix in place using the single bolt, into the threaded hole using a 16mm spanner. Fit the plastic washers between the support and table. Do not overtighten, so that the fence support can still hinge from side to side.

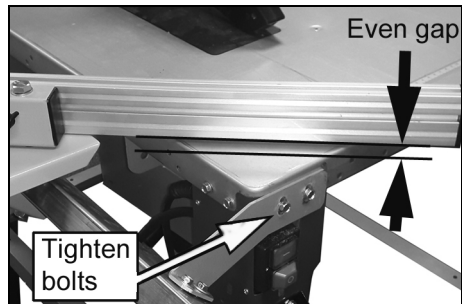


5. Next, add the locking handle using a flat washer above and below the support and securing from below with the 12mm nut supplied.
6. Check that the fence support hinges freely and that pressing down on the handle will lock the support in position.
7. Add the sliding mitre fence to the support by passing the carriage bolts through the backing plates which are then slid along the moulded track in the fence. Pass the bolts through the locating holes in the fence support and secure with the 2 x wingnuts.
8. Add the hinged workpiece stop to the fence, again by sliding the carriage bolt and backing plate along the top of the track and securing in position with the wingnut.
9. When these parts are in place, screw the plastic end caps to each end of the fence with the self-tapping screws supplied.



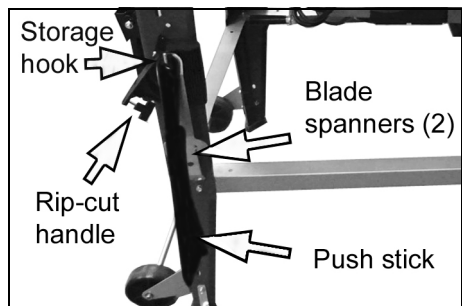
The sliding table and fence must run level with the saw table. After checking this, tighten the hexagon bolts of the supporting brackets.

Make a test cut and re-adjust if required.



ACCESSORY STORAGE

1. Screw the storage hook into the hole provided in the table leg.
2. Store the push stick, the rip cut handle and the two blade spanners on the hook provided.



OPERATION



CAUTION: BEFORE STARTING UP THE SAW ALWAYS CHECK THE FOLLOWING POINTS:

1. Is the saw blade firmly tightened and can the blade rotate freely?
2. Are all the locking levers firmly locked?
3. Is the riving knife aligned with the saw blade?
4. Is the blade guard fitted?
5. Make sure that the fences are not touching the blade.
6. Are there any wood pieces jammed between the saw blade and the table?
7. Have all loose workpieces been removed from the table?
8. Have all the setting tools been removed?
9. Wear protective goggles, ear protection and a dust mask.

BEFORE STARTING WORK

All covers including the blade cover guard and side cover must be properly fitted before switching on.

When working with wood that has been used before, take care to remove all foreign bodies such as nails or screws etc before cutting.

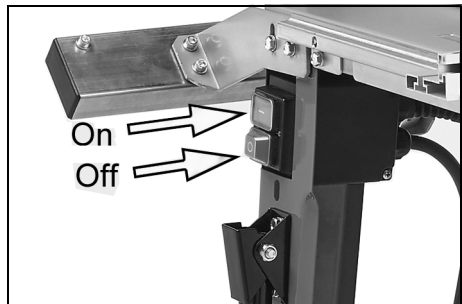
Always stand the saw on a flat and firm surface.

USE OF THE ON/OFF SWITCH

1. To turn the saw on, press the green button "I".
 - Wait for the blade to reach its maximum speed before making the cut.
2. To turn the saw off again, press the red button "0".

NOTE: The blade will spin for several seconds after the machine is switched off.

NOTE: The blade guard must always be lowered over the workpiece before you begin work.



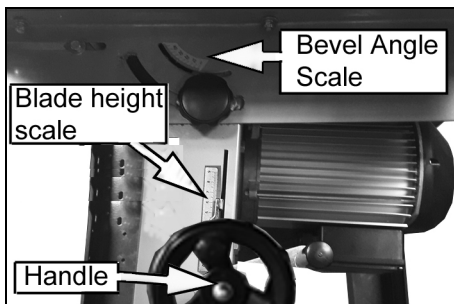
ADJUSTMENTS

SETTING THE BLADE HEIGHT

1. Set the blade height as required by using the adjustment handle under the work table.
 - The height scale shows the height above the table top.

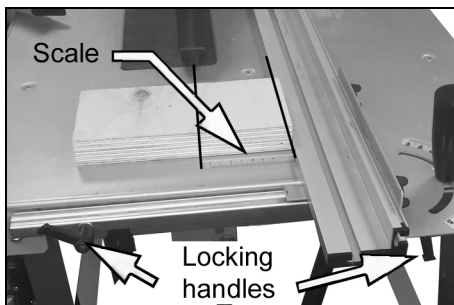
SETTING THE BLADE ANGLE

1. Release the bevel locking knobs on either end of the machine.
2. Tilt the saw blade and motor assembly until the saw blade is at the desired angle as displayed on the scale below the table.
3. Tighten the bevel locking knobs to lock the blade at the required angle displayed on the scale.



ADJUSTING THE PARALLEL FENCE

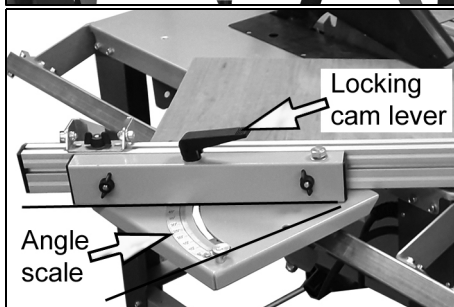
1. Slide the fence along the table and use the scale on the table to set the parallel fence to the required distance from the blade.
2. Lock the fence in the required position by tightening the locking handles at either end.



ADJUSTING THE MITRE GAUGE

1. Loosen the locking cam lever and swivel the mitre guide to the angle required.
 - The face closest to you will align with the angle shown in degrees on the scale.
2. Re-lock the cam lever to secure.

If required you can remove the fence from the mitre assembly using the 2 x wingnuts, or slide it in either direction to suit the task before re-tightening. You can also re-install the fence either laying down or upright. See page 19.



CUTTING PRACTICE

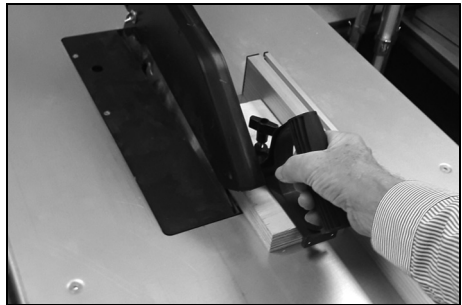
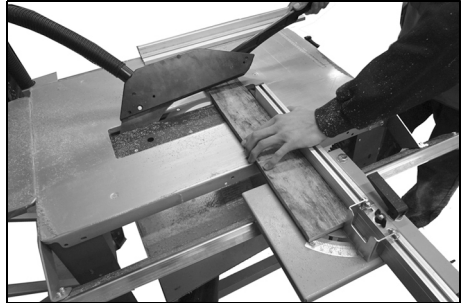
After every new adjustment, we recommend you to make a trial cut in order to check the new settings.

RIPPING CUTS & CROSS CUTS

Ripping is when you use the saw to cut along the grain of the wood.

The parallel fence must always be used when making ripping cuts.

1. Press one edge of the workpiece against the parallel fence.
 - The blade guard must always be lowered over the blade.
2. Set the parallel fence to achieve the desired width.
3. Switch on the saw.
4. Push the workpiece along the parallel fence towards the blade.
5. Guide the workpiece with your hand only as far as the front edge of the blade guard.
 - The Push Handle can also be used to push the workpiece during cutting instead of the push stick.
6. Always push the workpiece through to the end of the riving knife using a push stick or push handle.
7. **DO NOT** remove the offcut piece until the blade has stopped spinning.
8. Support long workpieces with the table extension. A roller stand can be used to give further support for large items).



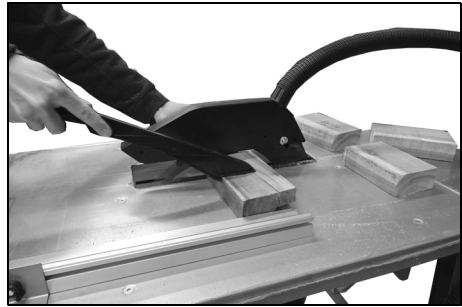
CUTTING NARROW WORKPIECES

Always use a push stick when the workpiece is narrow and for holding the workpiece flat on the table.

Take extra care to keep your thumbs away from the saw blade when feeding the workpiece past the blade.

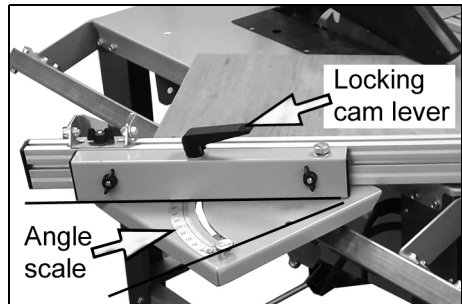
When not in use, store the push stick in its holder on the side of the saw.

Replace a lost/damaged push stick immediately.



MITRE CUTS

1. Adjust the fence to the required angle against the mitre gauge and lock in place with the cam lever.
2. Set the hinged stop in position with its thumbscrew.
3. Hold the workpiece against the fence while pressing against the hinged stop.
4. Switch on the saw.
5. With the workpiece resting on the mitre table push forward to make the cut.



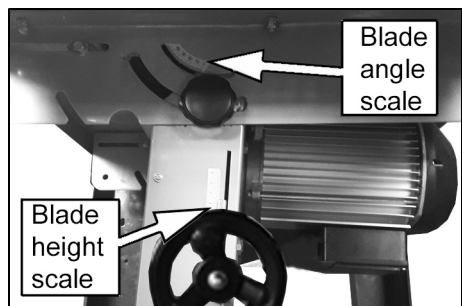
IMPORTANT: Always hold the guided part of the workpiece. Never hold the part which is to be cut off.

6. Push the mitre table forward until the workpiece is cut all the way through.
7. Switch off and **DO NOT** remove the offcut until the blade has stopped.

BEVEL CUTS

Bevel cuts will be made using the parallel fence.

1. Undo the bevel lock handles (x2) and set the saw to the desired angle as displayed on the scale.
2. Tighten the bevel handles at each side of the machine to lock the blade at the selected angle.
3. Set the parallel fence.
4. Perform the cut as you would for a ripping cut.



If precision is required, use a protractor between the blade and table.

MAINTENANCE



WARNING: REMOVE THE PLUG FROM THE MAINS POWER SUPPLY BEFORE CARRYING OUT ANY ADJUSTMENT OR MAINTENANCE.

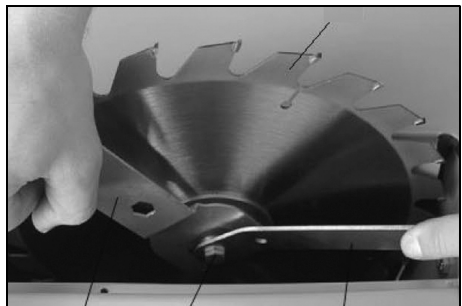
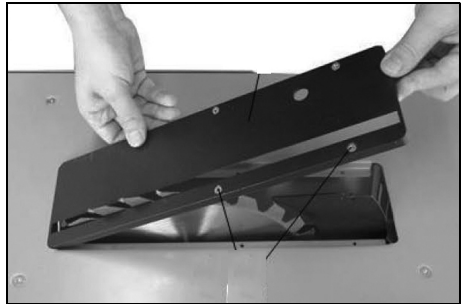
Your saw has been designed to operate over a long period of time with a minimum of maintenance. Continuous satisfactory operation depends upon proper tool care and regular cleaning.

NEVER use caustic agents to clean plastic parts.

1. Remove dust regularly from the machine. Cleaning is best carried out with a fine brush.
2. Regularly clean the table top.
3. Regularly clean the dust collection outlet.
4. Use a half-round file if necessary to keep the teeth sharp. A blade that is badly dulled or with damaged teeth should be replaced immediately.

CHANGING THE BLADE

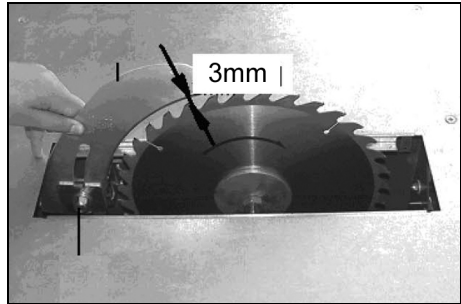
1. Remove the saw guard then remove the table insert from the table top using 4 screws.
2. Raise the saw blade fully.
3. Remove the riving knife by removing the securing nut.
4. Use the two open C-spanners provided to prevent the motor from turning and undo the saw blade securing nut (normal thread).
5. Remove the outer retaining disc followed by the saw blade by lifting it clear of the motor shaft and carefully withdrawing it from above.



6. Replace in reverse order ensuring the saw blade teeth face downwards at the front of the table.
 - The arrow on the face of the blade will show the direction of rotation.
7. Hold the blade firmly when tightening the centre nut, taking care to avoid injuring your hands on the sharp teeth.

IMPORTANT: Note the running direction. The cutting angle of the teeth must point in the running direction, i.e. forwards (see arrow on the blade guard).

8. Refit the riving knife and ensure that it lines up with the saw blade. It is secured with the nut shown.
9. Adjust the clearance between the saw blade so that it is between 2 and 5mm.
10. Refit the table insert and the blade guard.
11. Check that all components are properly mounted and in good working condition before you begin working with the saw again.



TROUBLE SHOOTING

Problem	Probable cause	Solution
Saw will not start	<ol style="list-style-type: none"> 1. Saw not plugged in 2. Fuse blown 3. Power cable damaged 	<ol style="list-style-type: none"> 1. Plug in the machine 2. Replace fuse 3. Have cable replaced by your dealer.
Does not make accurate 45° and 90° cuts	<ol style="list-style-type: none"> 1. Table adjuster not set correctly 	<ol style="list-style-type: none"> 1. Check blade with a set square and adjust pointer to zero.
Material pinches blade	<ol style="list-style-type: none"> 1. Fence not aligned with blade. Warped wood. Edge not set square to fence. 	<ol style="list-style-type: none"> 1. Check and adjust fence. Select another piece of wood
Material binds on the riving knife	<ol style="list-style-type: none"> 1. Riving knife not aligned correctly 	<ol style="list-style-type: none"> 1. Check that riving knife is correctly aligned with blade
Saw makes unsatisfactory cuts	<ol style="list-style-type: none"> 1. Dull blade 2. Blade mounted backwards 3. Gum or pitch on blade 4. Incorrect blade for work 5. Gum or pitch on table causing erratic feed 	<ol style="list-style-type: none"> 1. Replace blade 2. Turn blade around 3. Remove blade & clean with turpentine and coarse steel wool 4. Change the blade 5. Clean table with turpentine and steel wool and apply wax
Material kicked back from blade slot	<ol style="list-style-type: none"> 1. Rip fence out of alignment 2. Riving knife not aligned with blade 3. Feeding stock without rip fence 4. Riving knife not in place 5. Letting go of wood before it is all the way past the saw blade 6. Dull blade 	<ol style="list-style-type: none"> 1. Align rip fence with blade 2. Align riving knife with blade 3. Install and use rip fence 4. Install and use riving knife with guard 5. Push work fully past blade before releasing work 6. Replace blade
Blade does not tilt freely	<ol style="list-style-type: none"> 1. Sawdust in tilting mechanism 	<ol style="list-style-type: none"> 1. Brush or blow out loose dust
Blade does not come up to speed	<ol style="list-style-type: none"> 1. Extension cable too long 	<ol style="list-style-type: none"> 1. Replace or use shorter cable
Machine vibrates	<ol style="list-style-type: none"> 1. Saw not standing securely on floor 2. Damaged saw blade 	<ol style="list-style-type: none"> 1. Reposition on flat level surface 2. Replace blade.
Does not make accurate 45° and 90° cuts	<ol style="list-style-type: none"> 1. Mitre gauge out of adjustment 	<ol style="list-style-type: none"> 1. Adjust mitre gauge

PARTS LIST

No	Item	No	Item	No	Item
1	Rubber foot	31	End plate	61	Blade wrench
2	Leg with aperture	32	Tilting knob	62	Duct hose
3	Lifting handle	33	Axle bracket LH	63	Nut M6
4	Mounting bracket	34	Wheel	64	Flat washer
5	Locking bracket	35	Short crossbeam	65	Spring washer
6	Leg	36	Axle	66	Bolt M6 x 16
7	Track	37	Axle bracket RH	67	Circlip
8	End cap	38	Washer	68	Blade wrench
9	Parallel fence	39	Riving knife	69	Cam
10	Short coachbolt	40	Washer	70	Hold-down bracket
11	Washer	41	Blade retaining bolt	71	Bolt M8 x 16
12	Fence handle	42	Outer retaining disc	72	Flat hex bolt
13	Plastic End cap	43	Blade	73	Table insert
14	Locking lever	44	Inner retaining disc	74	Spring
15	Wingnut	45	Motor mount plate	75	Coachbolt
16	Quadrant & scale	46	Motor shaft guard	76	Washer
17	Support bracket	47	Side plate	77	Motor plate
18	Long crossbeam	48	Drive motor assy	78	Hex bolt M8 x 35
19	Guard plate	49	Angle scale	79	S/t screw
20	Bolt	50	Lower front plate	80	Hex bolt M6 x 20
21	Side plate	51	Pointer	81	Hex bolt M8x45
22	Work table	52	Adjusting Wheel	82	Flat Washer
23	Scale	53	Adjusting crank	83	Locknut M8
24	Insert backing	54	Connecting plate	84	Flat Washer 4
25	Blade guard assy	55	Lifting board	85	Phillips screw M4x10
26	Angle pointer	56	Height scale	86	Nut M12
27	Extension table	57	Duct adaptor	87	Coachbolt M12 x35
28	Ext table support	58	Switch unit	88	Locknut M8
29	Coachbolt	59	Push stick store bolt	89	Coachbolt M8 x 20
30	Ext duct bracket	60	Push stick	90	Outer hexbolt M8x16

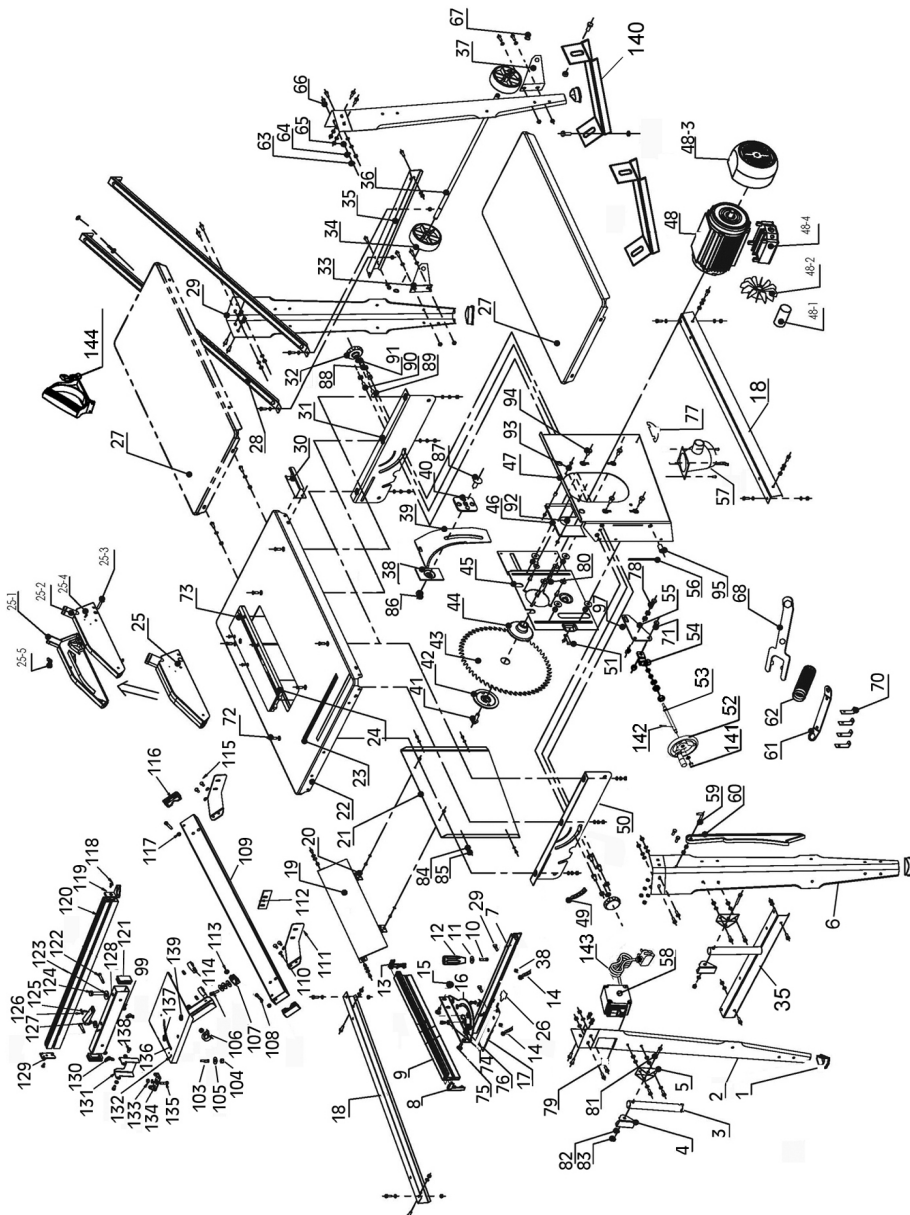
91	Large washer	111	Mounting bracket	131	Work Stop bracket
92	Guard cushioncover	112	Fixing block	132	Mitre table plate
93	Hex bolt M5 x 20	113	Ball bearing 6000Z	133	Locknut M6
94	Hex bolt M8 x16	114	Bearing cover	134	Slide plate
95	Nut M10	115	Bolt M6x16	135	Coachbolt M6 x 20
96	Split washer	116	End cap	136	Limit Stop
97	Circlip 10mm	117	Nut M6	137	Curved scale
98	Hinge pin	118	Screw st4.8 x15	138	Bolt M6 x12
99	Flat washer 6	119	Pointed end cap	139	Spacing washer
100	Locknut M4	120	Mitre fence	140	Side table support
101	Locking plate	121	End cap	141	Dome headed nut
102	Screw M4x60	122	Coachbolt M6 x 53	142	Roll pin
103	Hex bolt M6x16	123	Washer	143	Power cable & plug
104	Locknut M8	124	Bolt M10 x 65	144	Lifting handle
105	Bolt M10 x 30	125	Locking lever	145	Bolt
106	Bearing block	126	Roll Pin	146	Washer
107	Hex bolt M10 x 20	127	Washer 8	147	Wingnut
108	Hex bolt M6x35	128	Mitre fence support	148	Guard left half
109	Guide rail	129	End cap	149	Guard right half
110	Washer	130	Wingnut		

USEFUL ITEMS FROM THE CLARKE CATALOGUE

Refer to the Clarke website www.clarkeinternational.com for a full range of items for use with this saw. See also the following accessories;

CARS1	Roller Stand	Part No: 6500980
CARS 3 in 1	Roller Stand	Part No: 6500983
CEWVE1	Vacuum Dust Extractor	Part No: 6471168
CVAC20P	Vacuum Cleaner	Part No: 6471100

PARTS DIAGRAM



DECLARATION OF CONFORMITY-UK



Clarke[®]
INTERNATIONAL

Hemndall Street, Epping, Essex CM16 4LG

DECLARATION OF CONFORMITY

This is an important document and should be retained.

We hereby declare that this product(s) complies with the following statutory requirement(s):

Supply of Machinery (Safety) Regulations 2016

Electromagnetic Compatibility Regulations 2016

The Restriction of the Use of Certain Hazardous Substances in Electrical and Electronic Equipment Regulations 2012

The following standards have been applied to the product(s):

EN 55014-1:2017, EN 55014-2:2015, EN IEC 61000-3-2:2019, EN 61000-3-3:2013+A1,

EN 1870-19:2013, EN 60034-1:2010, EN 60034-5:2001+A1:2007, EN 60034-11:2004,

EN ISO 19085-1:2017, EN60204-1:2018, EN ISO 12100:2010, IEC 62321-1:2013,

IEC 62321-2:2013, IEC 62321-3-1:2013, IEC 62321-4:2013, IEC 62321-5:2013,

IEC 62321-6:2015, IEC 62321-7-1:2015, IEC 62321-8, ISO 17075:2007.

The technical documentation required to demonstrate that the product(s) meet(s) the requirement(s) of the aforementioned legislation has been compiled and is available for inspection by the relevant enforcement authorities.

The UKCA mark was first applied in: 2021

Product Description: 315mm Contractor Saw with Sliding Table
Model number(s): CCS12B
Serial / batch Number: N/A
Date of issue: 30/11/2021.

Signed:

J.A. Clarke
Director

DECLARATION OF CONFORMITY-EU



Clarke[®]
INTERNATIONAL

Fitzwilliam Hall, Fitzwilliam Place, Dublin 2

DECLARATION OF CONFORMITY

This is an important document and should be retained.

We hereby declare that this product(s) complies with the following directive(s):

2006/42/EC *Machinery Directive*
2014/30/EU *Electromagnetic Compatibility Directive*
2011/65/EU *Restriction of Hazardous substances*

The following standards have been applied to the product(s):

*EN 55014-1:2017, EN 55014-2:2015, EN IEC 61000-3-2:2019, EN 61000-3-3:2013+A1,
EN 1870-19:2013, EN 60034-1:2010, EN 60034-5:2001+A1:2007, EN 60034-11:2004,
EN ISO 19085-1:2017, EN60204-1:2018, EN ISO 12100:2010, IEC 62321-1:2013,
IEC 62321-2:2013, IEC 62321-3-1:2013, IEC 62321-4:2013, IEC 62321-5:2013,
IEC 62321-6:2015, IEC 62321-7-1:2015, IEC 62321-8, ISO 17075:2007.*

The technical documentation required to demonstrate that the product(s) meet(s) the requirement(s) of the aforementioned directive(s) has been compiled and is available for inspection by the relevant enforcement authorities.

The CE mark was first applied in: 2021

Product Description: 315mm Contractor Saw with Sliding Table
Model number(s): CCS12B
Serial / batch Number: N/A
Date of issue: 30/11/2021.

Signed:

J.A. Clarke
Director

A SELECTION FROM THE VAST RANGE OF

Clarke®

QUALITY PRODUCTS



AIR COMPRESSORS

From DIY to industrial, Plus air tools, spray guns and accessories.

GENERATORS

Prime duty or emergency standby for business, home and leisure.

POWER WASHERS

Hot and cold, electric and engine driven - we have what you need

WELDERS

Mig, Arc, Tig and Spot. From DIY to auto/industrial.

METALWORKING

Drills, grinders and saws for DIY and professional use.

WOODWORKING

Saws, sanders, lathes, mortisers and dust extraction.

HYDRAULICS

Cranes, body repair kits, transmission jacks for all types of workshop use.

WATER PUMPS

Submersible, electric and engine driven for DIY, agriculture and industry.

POWER TOOLS

Angle grinders, cordless drill sets, saws and sanders.

STARTERS/CHARGERS

All sizes for car and commercial use.

PARTS & SERVICE:

0208 988 7400

Parts Enquiries

Parts@clarkeinternational.com

Servicing & Technical Enquiries

Service@clarkeinternational.com

SALES: UK 01992 565333 or Export 00 44 (0)1992 565335

Clarke INTERNATIONAL Hemnall Street, Epping, Essex CM16 4LG
www.clarkeinternational.com